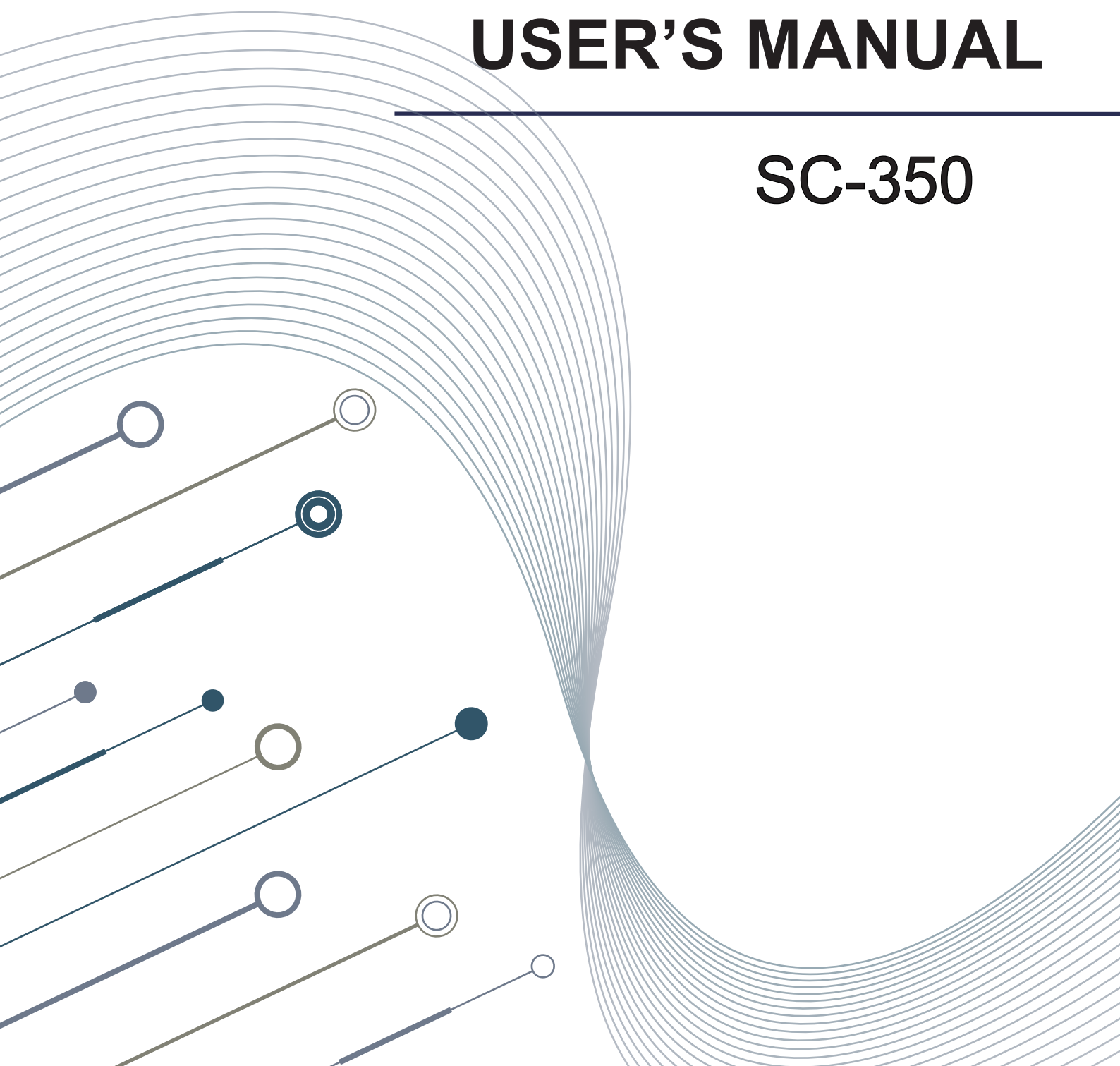




USER'S MANUAL

SC-350



Preface

Thank you for choosing a VULCAN SC-350. To ensure high cutting quality and optimal productivity, be sure to read this User's Manual thoroughly prior to use.

WARNING

Manual

- No part of this publication may be reproduced, stored in a retrieval system, or transmitted, in any form or by any means, without the prior written permission of VULCAN Corporation.
- The product specifications and other information in this manual are subject to change without notice.
- While every effort has been made to provide complete and accurate information, please contact your sales representative or nearest VULCAN vendor if you find any unclear or erroneous information or wish to make other comments or suggestions.
- Not with standing the stipulations in the preceding paragraph, VULCAN Corporation assumes no liability for damages resulting from either the use of the information contained herein or the use of the product.

Cutter

All external data interface cables and connectors must be properly shielded and grounded.

Proper cables and connectors are available from vulcan's authorized dealers or manufacturers of computers or peripherals.

VULCAN is not responsible for any interference caused by using cables and connectors other than those recommended or by unauthorized changes or modifications to this equipment.

Unauthorized changes or modifications could void the user's authority to operate the equipment.

- In case of emergency, you can directly press the emergency switch to turn off the machine. Turn on the emergency switch, the machine will not move, you need to control the machine movement through software.
- During work, the machine will stop immediately when it encounters a force of 20N.

Machine Caution Label

The following Warning Label is located on this cutting plotter. Please observe all the warning on the label



Warning; Electricity
Taking care to avoid coming into contact with electricity



Warning; Sharp element
Taking care to avoid injury from sharp elements (e.g. needles, blades)

After Turning on the Sheet cutter

During operations, immediately after completion of operations, and when setting the cutting plotter functions, the carriage, will move to the origin position, and other parts which are not fixed, may move suddenly.

Do not let your hands, hair, or clothing get too close to the moving parts or within their range of movement.

Do not place any foreign objects in or near these areas either. If your hands, hair, clothing, or the like get caught in, or wrapped around moving parts, you may be injured and the machine may be damaged.

About the words and phrases in this text

- In this instruction manual, the word "cutter" refers to operating the machine and using either the plotting pen or the cutter plunger to cut.
- In this instruction manual, the word "media" refers to paper, roll media, sheet media, or marking film.

CONTENTS

| | |
|--|-------|
| WARNING | 1 |
| Manual | |
| Cutter | |
| Machine Caution Label | |
| After Turning on the Sheet cutter... .. | 2 |
| About the words and phrases in this text | 2 |
| Chapter 1: Product Summary | |
| 1.1 Machine Specifications | 6 |
| 1.2 Accessories List..... | 7 |
| 1.3 Product Introduction | 8 |
| 1.4 Control Panel | 9 |
| Screen(LCD) | |
| Control key | |
| Chapter 2: Installation Equipment | |
| 2.1 Cutter installation | 11 |
| Media support tray | |
| Exit tray | |
| Real media guide | |
| 2.2 Use of tools | 14-15 |
| Blade holder | |
| How to confirm the right height | |
| Pen holder | |
| Type of blade | |
| 2.4 Attaching a tool | 16 |
| 2.5 Connecting to the Computer | 17-18 |
| Connection via USB interface | |
| Connection via Network(LAN)interface | |
| Connection via USB disk | |
| Chapter 3: Convenient Functions | |
| 3.1 Loading the Media..... | 20 |
| 3.2 Move the Tool Carriage..... | 21 |

| | |
|-----------------------------------|-------|
| 3.3 Setting the Origin Point..... | 22 |
| 3.4 Running Cutting Tests | 23 |
| Load test media | |
| Running cutting tests | |
| 3.5 Stop Cutting | 24 |
| 3.6 Offline output | 26 |
| 3.7 QR Code..... | 27 |
| 3.8 Setting | 27-30 |
| Calibrate Cutter Size | |
| Offset Calibration | |
| Operating Mode | |
| Sensor Condition | |
| System Information | |

Chapter 4: Troubleshooting and Maintenance

| | |
|---|-------|
| 4.1 The error information of cutter..... | 32-33 |
| 4.2 Maintenance..... | 34 |
| 4.3 Exploded drawings and part lists..... | 35-36 |

Chapter 1: Product Summary

Product Summary

- 1.1 Machine Specifications
- 1.2 Accessories List
- 1.3 Product Introduction
- 1.4 Control Panel

Chapter 1: Product Summary

1.1 Machine Specifications


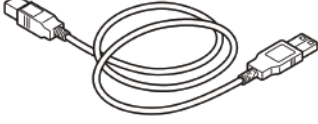
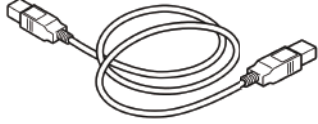
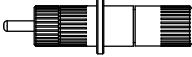

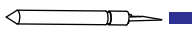
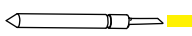


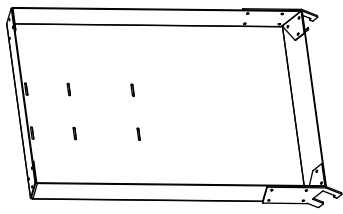
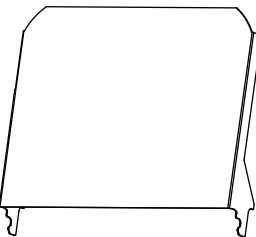
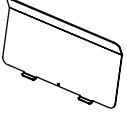
| Item | SC-320 |
|--|---|
| Configuration | Automatic feeding sheet cutter |
| Media size | Width:185 to 350mm Length:150 to 500mm A4,A3,SRA3,A3+ |
| Maximum cutting speed | 1200 mm/s (10 to 700 mm/s) |
| Max force | 400g |
| Minimum character size | Approx. 5 mm square |
| Sheet weight | 350g/m ² |
| Feeding time | 2 seconds |
| Machincial Resolution | 0.01254 mm |
| Programmable Resolution | HP-GL: 0.025 mm |
| Standard interfaces | USB2.0 (Full Speed) / U-Flash / Ethernet |
| Command sets | HP-GL |
| Number of tools | 1 tool |
| Tool types | Cutter blade |
| Operating screen | 4.3-inch touch LCD |
| Power supply | 100 to 240 V AC, 50/60 Hz (Auto switching) |
| Power consumption | 60W |
| Operating environment | Temperature: 10 to 35 degree, Humidity: 35 to 75% RH (non-condensing) |
| Guaranteed accuracy environment | Temperature: 16 to 32 degree C, Humidity: 35% to 70% RH (non-condensing) |
| External Dimensions(mm) (W × D × H) | Exit tray : 406 x 462 x 186 mm Exit tray+Cutter+Media support tray: 1109 x 747 x 594 mm |
| Weight | 33kg/36kg |
| Compatible OS | Windows and Mac |
| Compatible Standards | CE |

*1 : HP-GL is a registered trademark of the US Hewlett Packard Company.

*2 : It depends on our specified paper and conditions

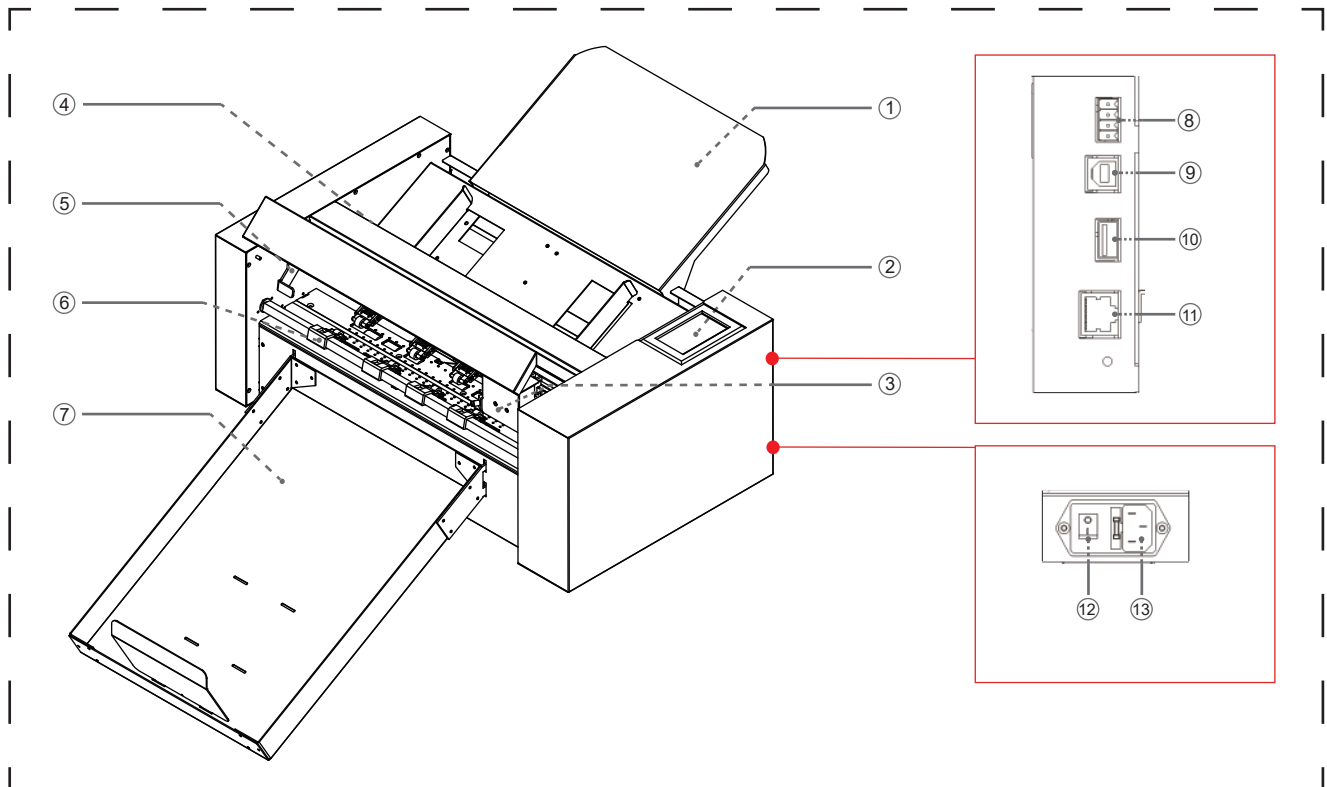
Chapter 1: Product Summary

1.2 Accessories List

| Accessories for sheet cutter | | |
|---|--|---|
|  <p>Power cable x 1pc</p> |  <p>USB cable x 1pc</p> |  <p>Ethernet cable x 1pc</p> |
|  <p>Blade holder x 1pc</p> |  <p>Pen calibration tool x 2pcs</p> |  <p>30° Blade x 1pc</p>  <p>60° Blade x 1pc</p> |
|  <p>USB disk x 1pc</p> |  <p>Pen x 5pcs</p> | |
| Accessories for stand | | |
|  <p>Exit tray</p> |  <p>Media supply tray</p> | |
|  <p>Rear media guide</p> | | |

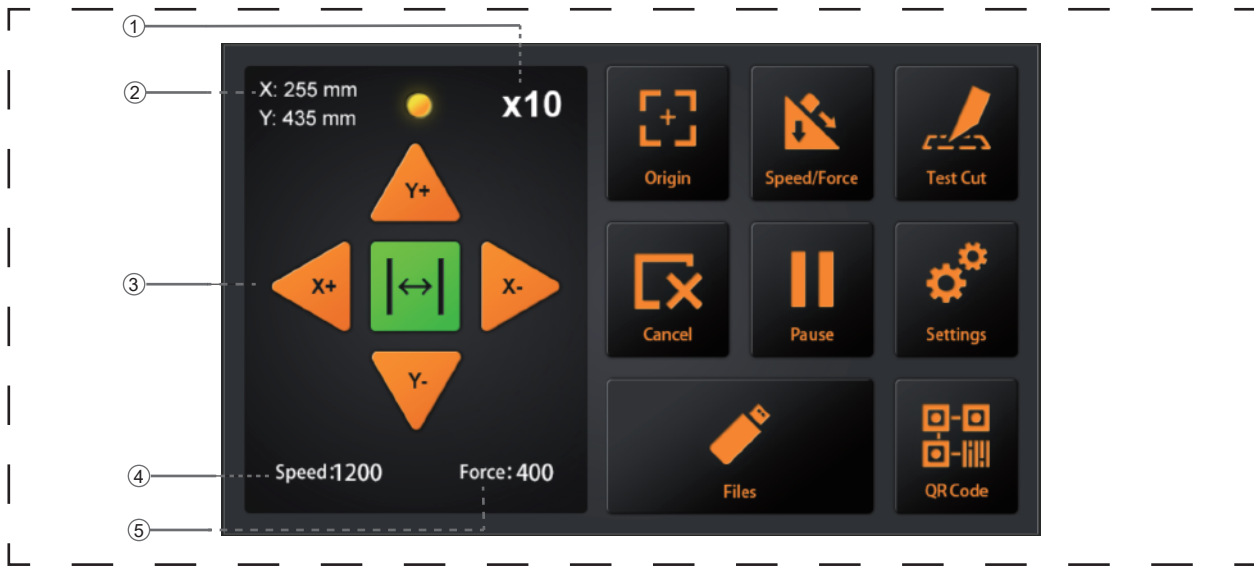
*Other guide for the accessory may be attached.

1.3 Product Introduction



- (1) Media supply tray.....Support the media to be cut by cutting plotter.
- (2) Control panel.....Used to access various cutting plotter functions.
- (3) Tool carriagePart to drive the cutter/pen.
- (4) Feeding roll system.....Separate the media, and delivery the media into the cutter section.
- (5) Pinch roller handle.....Raise and lower pinch roller.
- (6) Pinch roller.....During working, fixed the media.
- (7) Exit tray.....Place the cut media.
- (8) Network (LAN) interface connector
.....The connector used when connecting this cutting plotter with the network (LAN)interface cable.
- (9) Network (LAN) interface connector
.....The connector used when connecting this cutting plotter with the network (LAN)interface cable.
- (10) U Disk portThe port that is used only for the USB memory.
- (11) USB interface connector
.....Used to connect the cutting plotter to the computer with a USB interface cable.
- (12) Power switch.....Used to turn the cutting plotter on and off.
- (13) AC line inlet.....Inlet where the power cable is connected.

1.4 Control Panel



Screen (LCD)

- (1) Acceleration displayArrow key speeds for carriage control, Fast (x10) / Slow (x1).
- (2) Carriage coordinates.....The coordinates of carriage on the table.
- (3) Arrow keys.....To move carriage to different positions.
- (4) Speed.....Carriage moving speeds (tool1/tool2) during working.
- (5) Force.....Carriage down forces (tool1/tool2) during working.

Control key

- Origin.....To set work origin.
- Speed/Force To set speed/force of tool1/tool2.
- Test cut.....To cut one square and one triangle for testing force of tool1/tool2.
- Cancel.....Cancel the job after the work is paused.
- Pause.....To pause the cutting job when we find anything wrong.
- Settings.....Machine calibration and system information.
- Files.....To choose file from USB-disk
(PLT-files saved on USB-disk can be used for direct output).

Chapter 2: Installation Equipment

Installation Equipment

2.1 Cutter installation

2.2 Use of tools

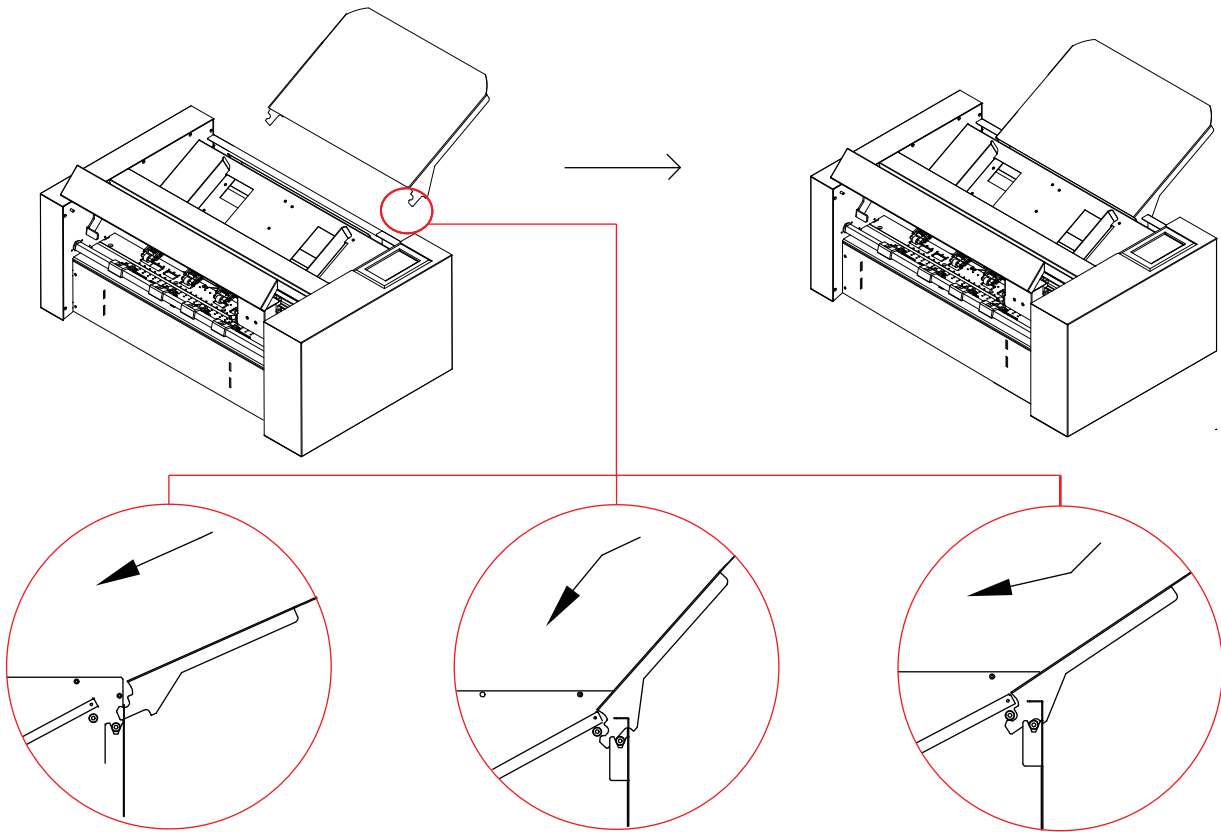
2.3 Attaching a tool

2.4 Connecting to the Computer

Chapter 2: Installation Equipment

2.1 Cutter installation

1:Media support tray

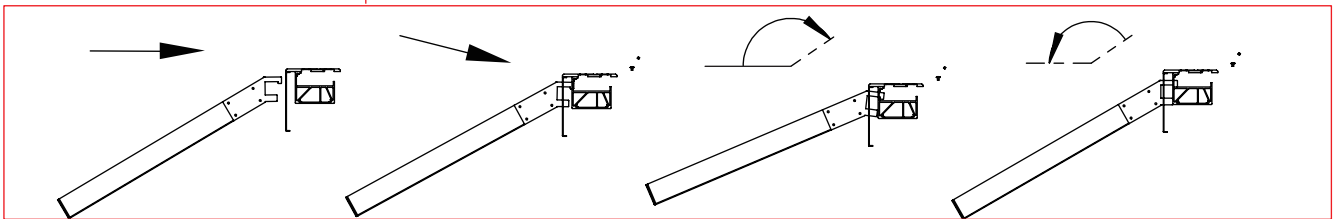
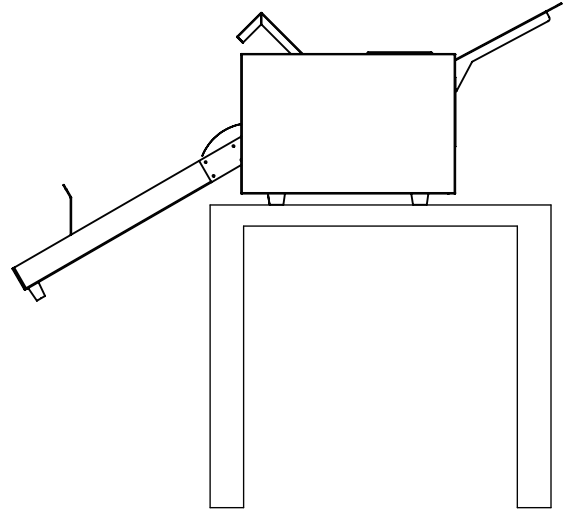
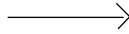
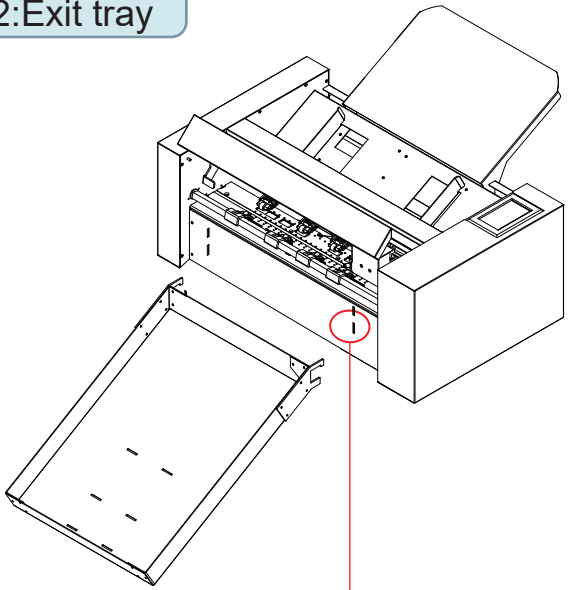


- (1) First insert the media support tray into the machine,
- (2) Second push it down in the direction.
- (3) Finally, lift media support tray up again, you will hear a click.

Chapter 2: Installation Equipment

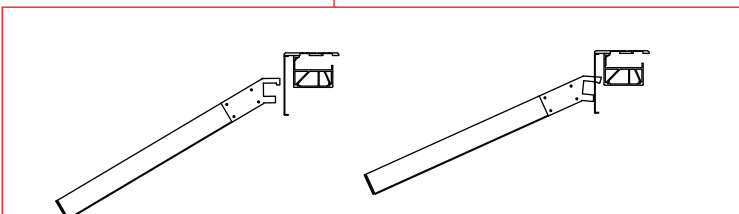
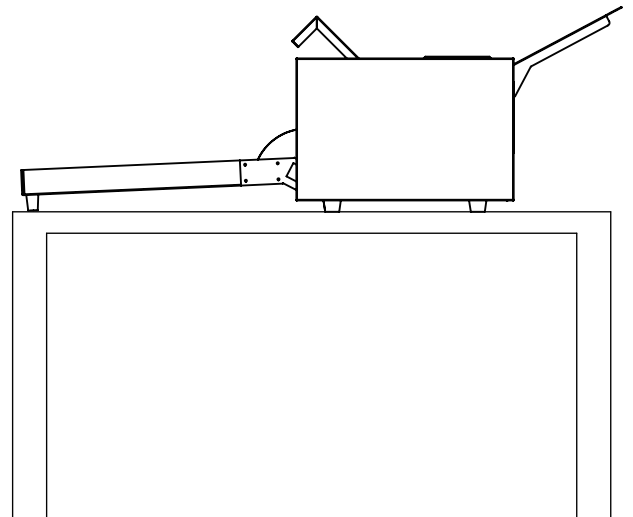
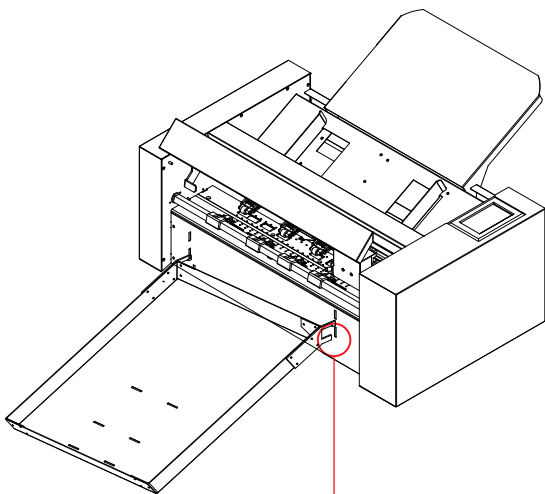
2.1 Cutter installation

2:Exit tray



(1) First insert the exit tray into the machine. (Vertical direction)

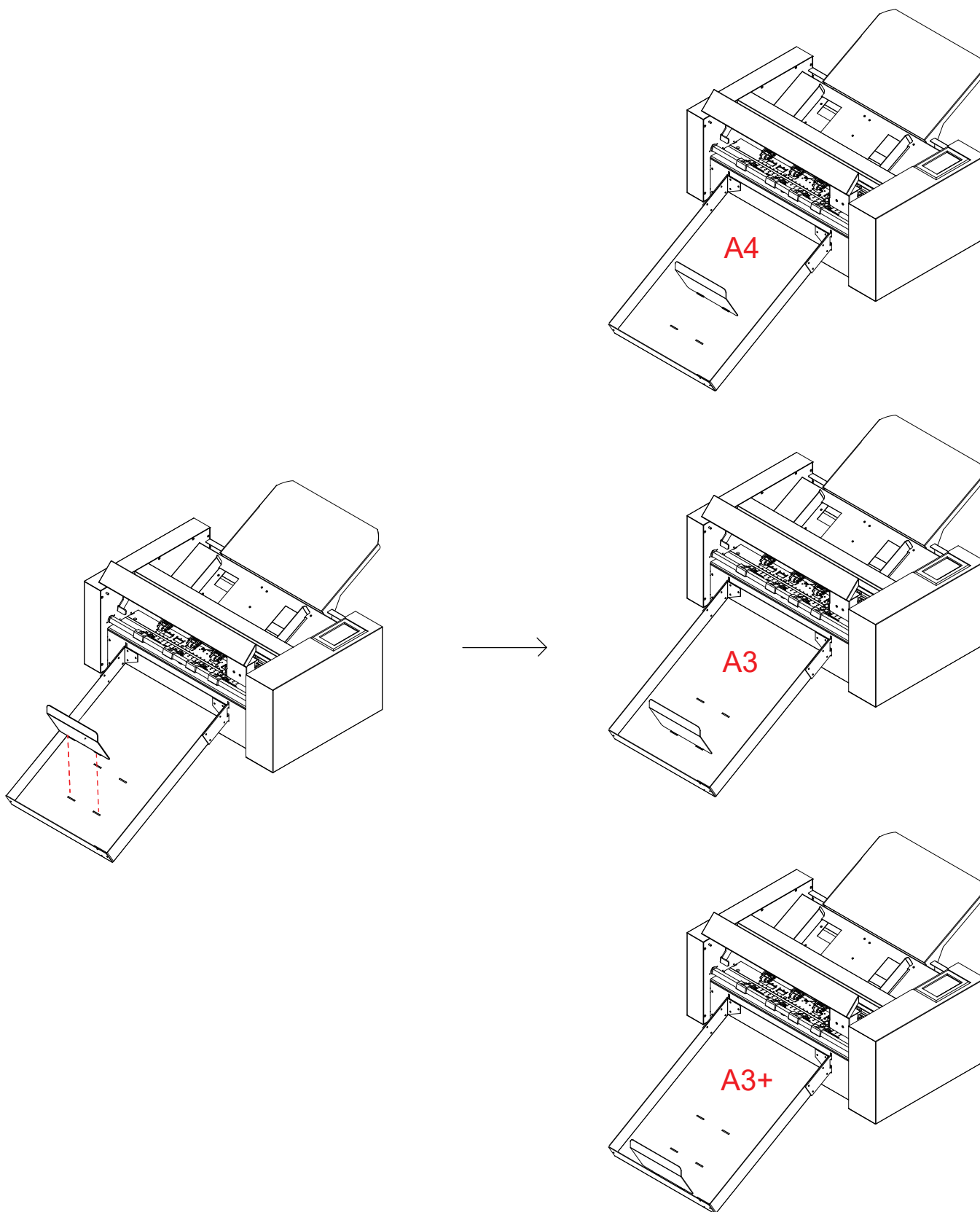
(2) Next, put down the exit tray, the exit tray will be stuck on the machine.



Chapter 2: Installation Equipment

2.1 Cutter installation

3:Rear media guide

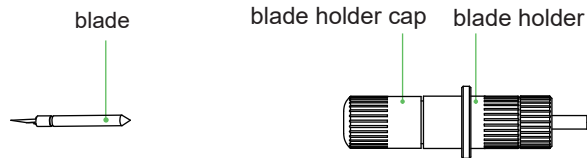


Chapter 2: Installation Equipment

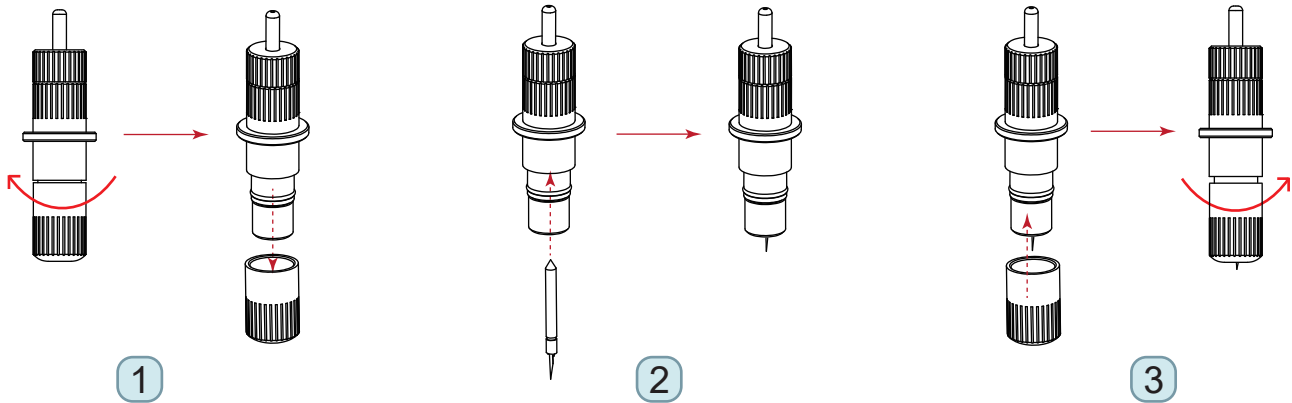
2.2 Use of tools

 To avoid bodily injury, handle cutter blades with care.

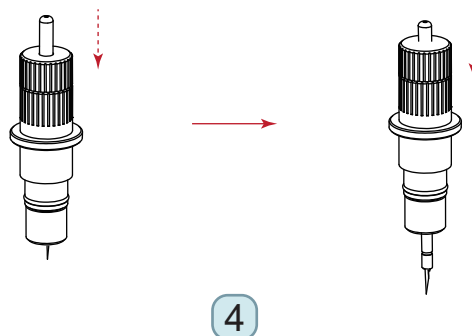
1: Blade holder



- 1 First, unscrew the blade holder cap, as shown.
- 2 Second, place the blade (as shown) into the slot of the blade seat.
- 3 Finally, screw the blade holder cap to complete the installation and replacement of the blade.
* The length of the blade is also adjusted by the blade holder cap.



- 4 Removing the tool. Press the button at the top and the knife will come out.



Chapter 2: Installation Equipment

2.2 Use of tools

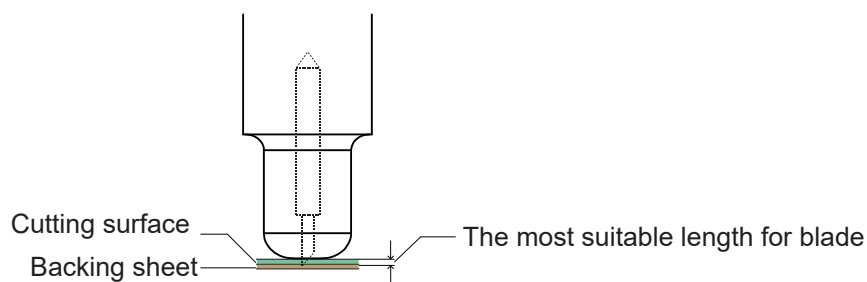
How to confirm the right height

Gradually increase the blade length to suit the thickness of the medium being used.

*Adjust the blade length so that only traces of the blade appear on the backing sheet when a cutting test is performed.

*The ideal blade length is a length that is slightly less than the combined thickness of the film and its backing sheet, but greater than the thickness of the film itself.

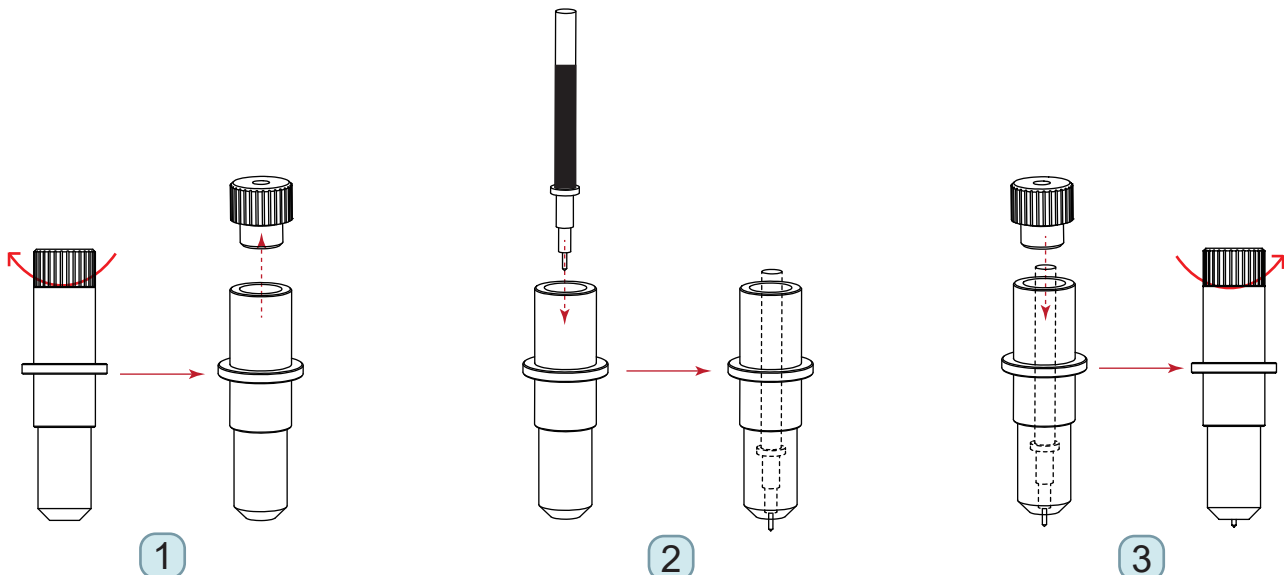
*If the blade cuts right through the backing sheet, decrease the blade length. If the blade does not cut the film cleanly, increase the blade length.



2:Pen holder



- 1 First, unscrew the Calibration tool cap, as shown.
- 2 Second, place the pen (as shown) into the slot of the pen seat.
- 3 Finally, screw the Calibration tool cap to complete the installation and replacement of the pen.



Chapter 2: Installation Equipment

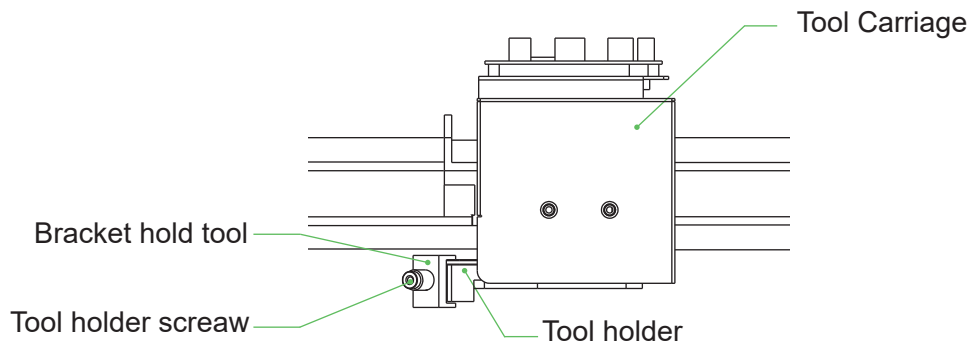
2.3 Attaching a tool



When pushing the tool holder with your fingers, the blade tip may be protruding. Take care not to cut your fingers.

When mounting the tool in the tool holder, please note the following.

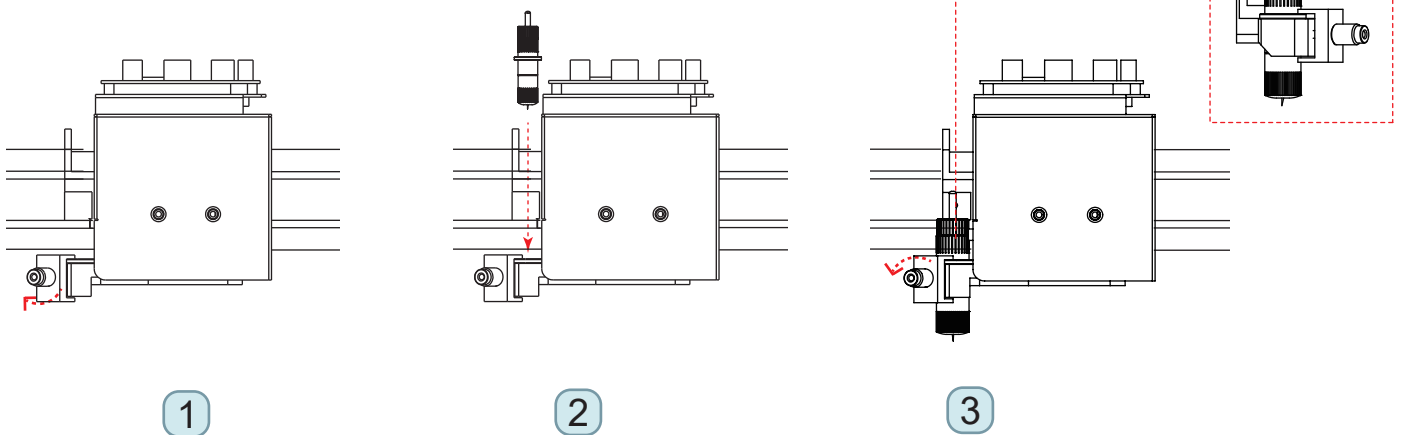
- Push the tool all the way into the holder until its flange contacts the upper part of the holder and then tighten the screw firmly.
- To prevent injury, avoid absolutely touching the tool immediately after the cutting plotter is turned on or whenever the tool is moving.



1 First, Loosen the tool holder screw.

2 Second, while pushing up the tool holder, push the tool into the holder until the flange of tool completely touches the upper part of the holder.

3 Finally, make sure that the tool bracket is engaged on the tool's flange, and then tighten the screw.



4 * Removing the tool

When removing the tool, turn the tool holder screw counterclockwise to remove the tool.

Chapter 2: Installation Equipment

2.4 Connecting to the computer

Connect the plotter to the computer using the communication cable. Use either the USB interface, network (LAN) interface to connect the plotter to the computer. Select the port depending on the specification of the software to be used and the availability of the interface port on the computer.

Depending on the port used, use either the USB cable (standard accessories), network (LAN) cable (standard accessories) to connect. Use the cables specified by Vulcan, matching the computer that is to be connected

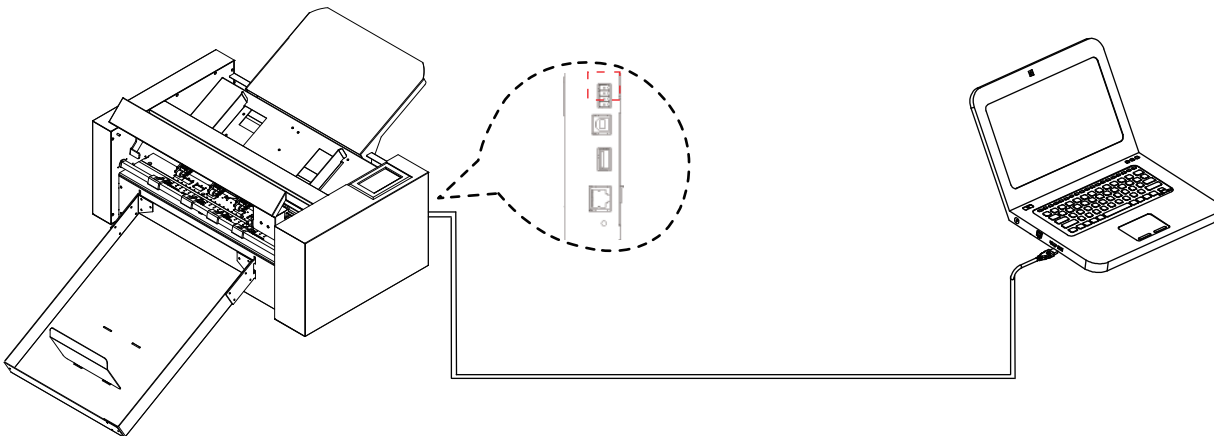


Make sure that the power switch is turned off ("o" side).

Connection via USB interface

Do not perform the followings:

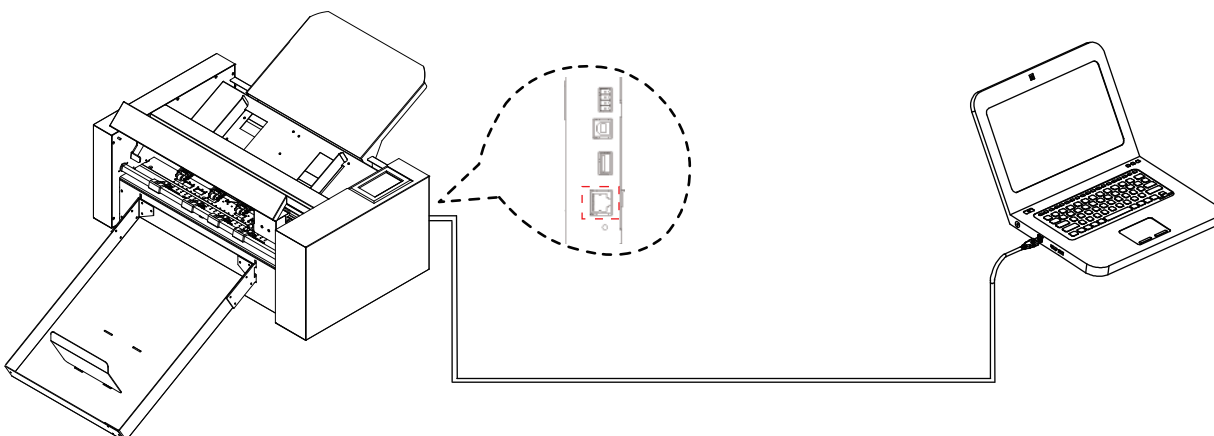
- Do not connect or disconnect the USB cable when the computer or the plotter is performing an initialization routine.
- Do not disconnect the USB cable within a 5-second period of connecting it.
- Do not disconnect the cable during data transfer.
- Do not connect multiple plotters to a single computer using the USB interface.



Connection via Network (LAN) interface

Supplement

- To use the network (LAN) interface, the environment that can connect the computer to the network must be established.
- temporarily turn off the firewall function during the use, or change the setting. if you want to turn off the firewall function, disconnect the network from the internet.



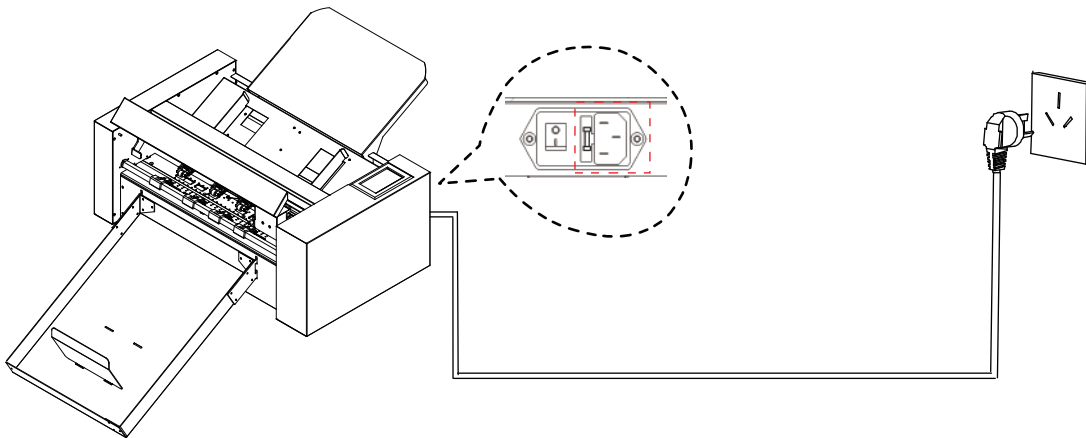
Chapter 2: Installation Equipment

2.4 Connecting to the computer

Connection via power cable

Supplement

When turning off the power, wait over 10 seconds before turning on it again, otherwise problems may occur with the display.

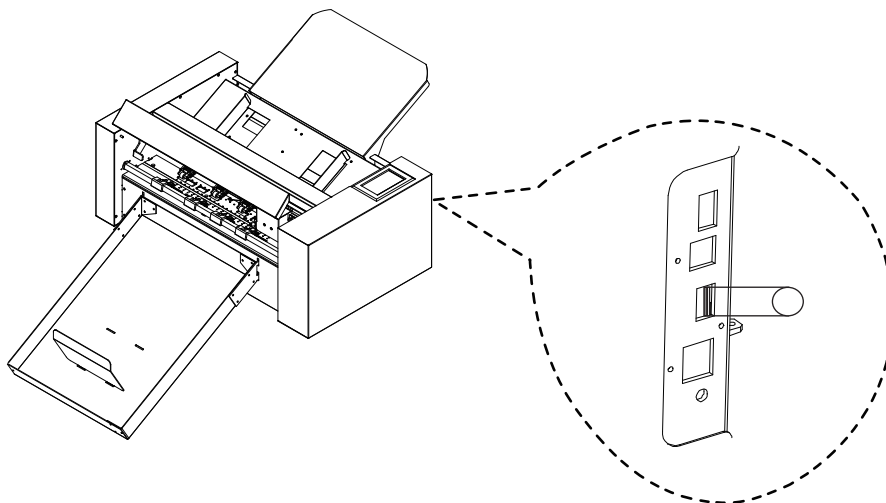


Connection via USB disk

Supplement

The USB disk is supplied as a standard accessory.

* There are manuals, software and test files in the U disk.



Chapter 3: Convenient Functions

Convenient Functions

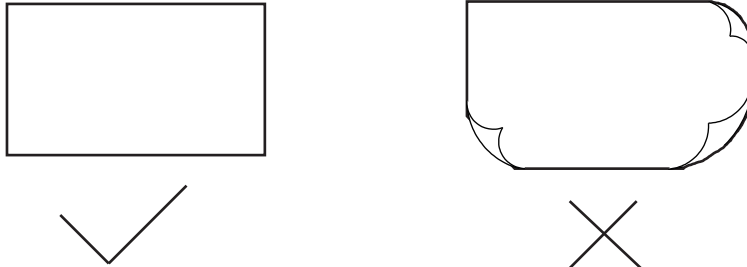
- 3.1 Loading the Media
- 3.2 Move the Tool Carriage
- 3.3 Setting the Origin Point
- 3.4 Running Cutting Tests
- 3.5 Stop Cutting
- 3.6 Offline Output
- 3.7 QR Code
- 3.8 Settings

Chapter 3: Convenient Functions

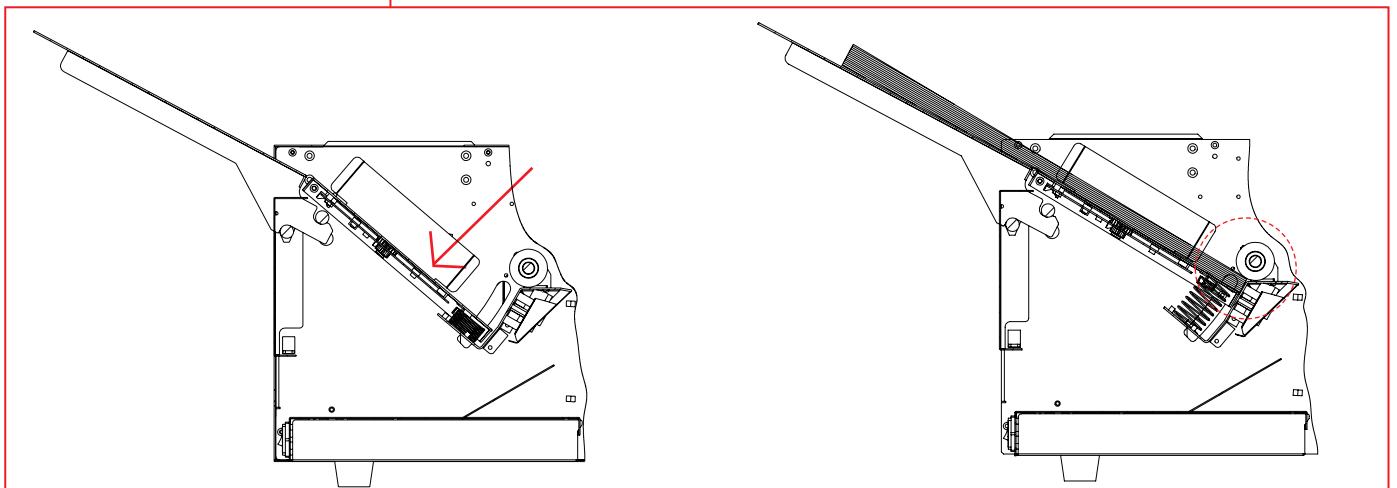
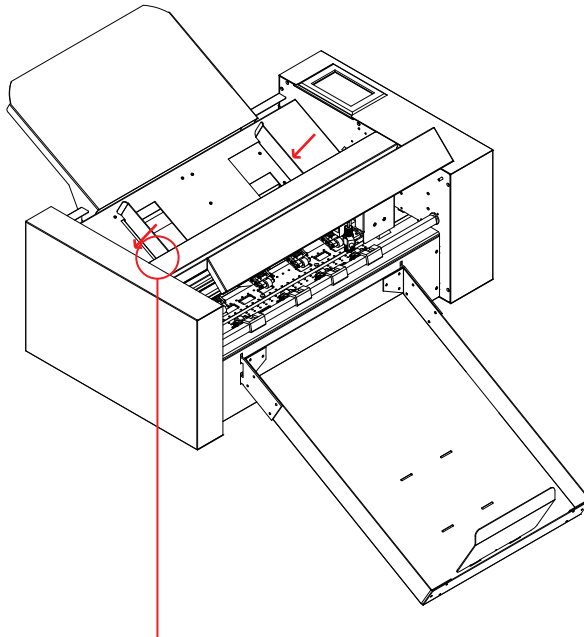
3.1 Loading the media

Supplement

- Do not use the warped media. Make sure the material is flat.



- 1 First, press the feeding platform down.
- 2 Second, Place the media in the feeding platform. Note that the paper fully enters the platform.
- 3 Finally, Loosen the feeding platform, the paper feeding platform will rise and Move the left and right baffles to the edge of the paper the media will be placed finish. (Note: The loaded media is under the paper feed roller).




Chapter 3: Convenient Functions

3.2 Move the tool carriage

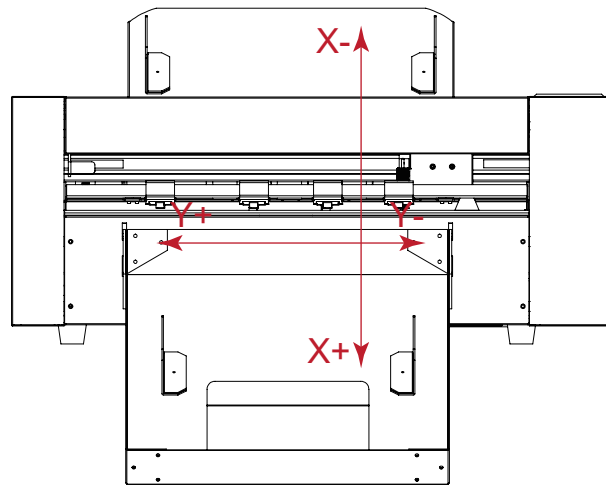
Tool carriage can be moved manually using the POSITION key. It also can move the tool carriage to the origin, or move it certain distance to keep it away.

As the machine feeding system automatically, this function is to used when the force and other parameters need to be tested

- 1 When there is no file in progress, Press the white number to modify the moving speed. The current speed can be modified to 1 or 10 and there will be a white number in the upper right corner showing the speed value.
- 2 You can press the button “” to move the tool carriage. Tool carriage will move toward the direction of the pressed POSITION key, Movement speed will also change.



Click on the number to modify the movement speed



3.3 Setting the origin point

Press the “Origin” key. and the new origin has been set.

The white text in the upper left corner will show the distance of the new origin point from the original origin point.

Distance origin coordinates

Set the origin



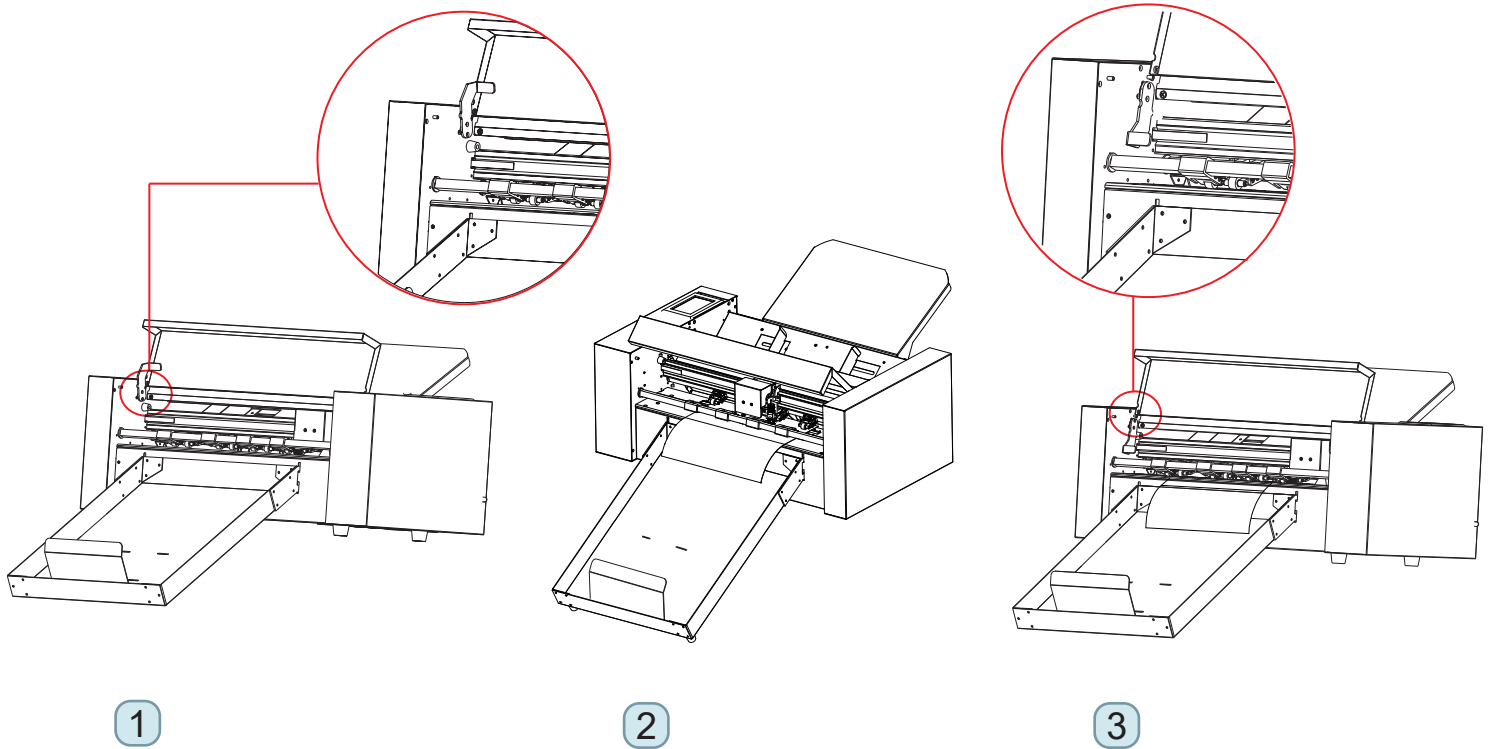
Chapter 3: Convenient Functions

3.4 Turning Cutting Tests

This parameter tests the speed and force of the blade tool.

Load the test media

- 1 First,raise the pinch roll handle. Both pinch roll will be lifted.
- 2 Second,Put the tested media into the cutter.
- 3 Finally, put the pinch roll handle down,the pinch roll completely compresses the material.



Turning cutting tests

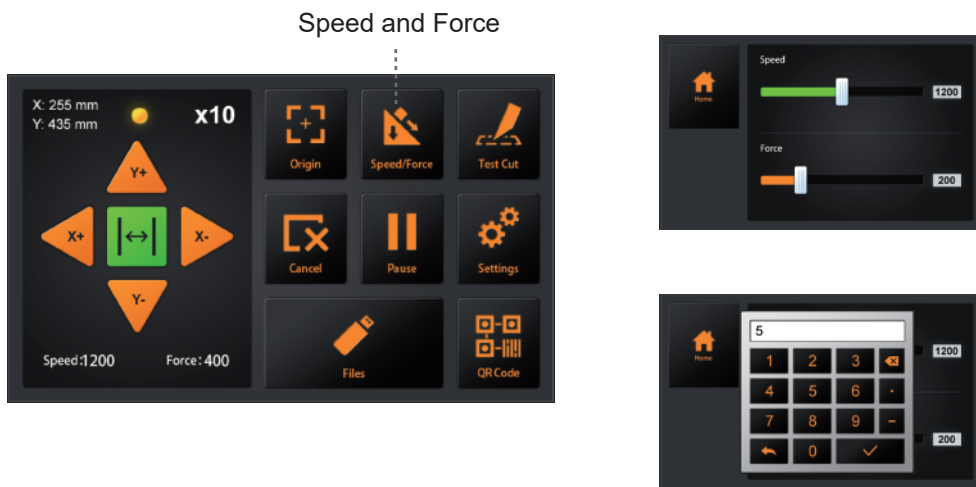
- 1 Place the blade holder (with blade) in the carriage.
- 2 Move the carriage to the middle of the media and confirm the origin.
- 3 Press the "Test cut" button, the machine will work automatically,



Chapter 3: Convenient Functions

3.4 Running Cutting Tests

- 4 Press the front and back buttons (▲▼) to remove the media from the machine and check whether the force is appropriate.
- 5 If you find that the force is not suitable, you can turn on the speed and pressure buttons and adjust.
 - * How to adjust the value?
 - 1: Drag the white button to adjust.
 - 2: Click on the value, an input will appear, or you can enter the value manually.



- 6 Move the carriage to the center of the media and press “Test cut” again. Check the force is OK. Raise the pinch roller handle, take out the media and put the pinch roller handle down. The cuttings tests is complete.

Chapter 3: Convenient Functions

3.5 Stop Cutting

During the work, if you need to pause and press the "Pause" button. To continue cutting, press the "Start" again.



After the work is paused. Press the "Cancel", if you want cancel the job.



Chapter 3: Convenient Functions

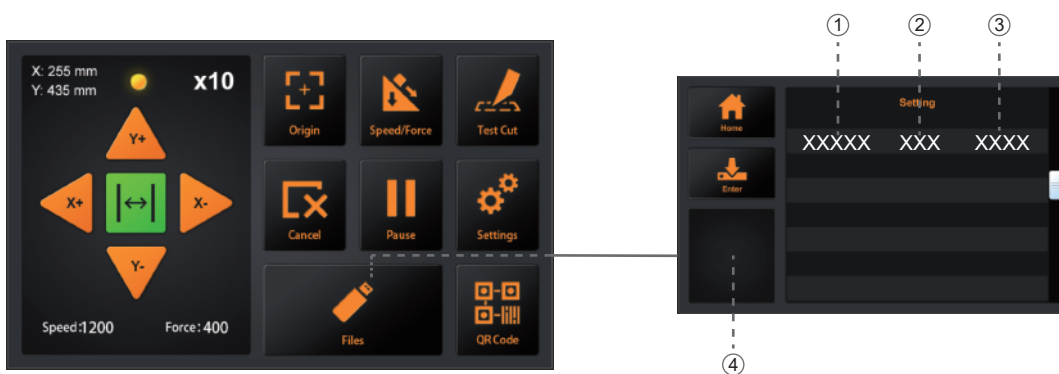
3.6 Offline Output

Dedicated data that was preliminarily created by the application software can be saved in the USB disk and output from the cutter.

Select the data from the menu of the plotter, and then output it in offline

Supplement

- The Windows prohibited characters (¥, \ , / , ; , * , ? , “ , < , > , | , etc.) cannot be used.
- Limit of the number of display characters is 8 characters.
- Extension is ".plt".

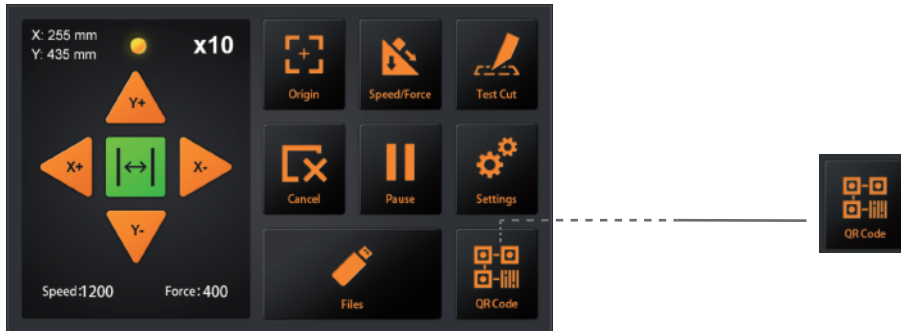


- (1) File name (2) Data volume (3) Create data time
(4) Preview.....Once the file is selected, click here to see the contents of the file.
(5) When the file is determined, click "Enter. The cutter will work.

Chapter 3: Convenient Functions

3.7 QR Code

QR-CODE: QR code working mode, when offline, the machine automatically cuts different files.



The PLT file (including the QR code) made by the software is put into the U disk.

Then put the U disk into the machine. Click QR-CODE and the machine will automatically feed and cut QR-CODE files.

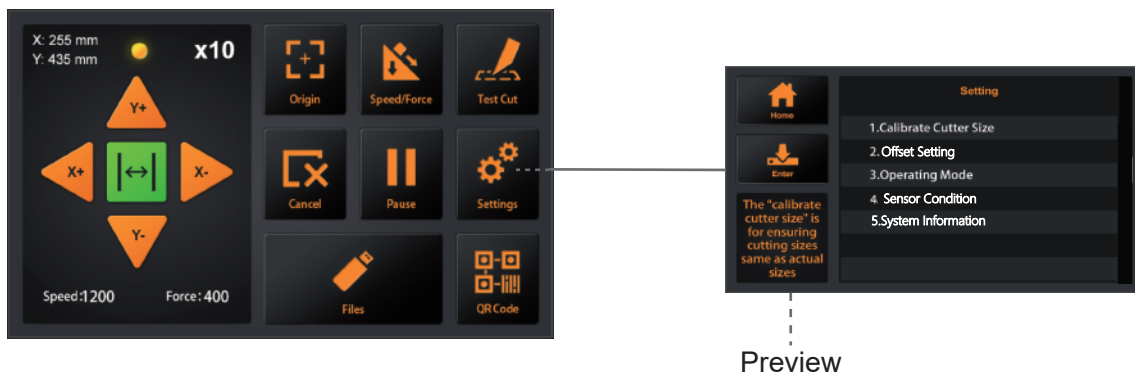
Chapter 3: Convenient Functions

3.8 Settings

Click on the parameter and the Preview box will show the meaning of the parameter.

Under normal circumstances, these parameters don't need to be modified.

Please refer to the following instructions If need to modify.



Calibrate Cutter Size

Calibrate Cutter Size: The "Calibrate Cutter Size" is for ensuring cutting sizes same as actual sizes.

How to set the "Calibrate Cutter Size"?

Please load the test media first ,and setting the origin.(Refer 3.4)

- 1 Press "Calibrate cutter size",then press "Enter".
- 2 Enter a size in "Draw Rectangle",then press "Draw".
- 3 The cutter will draw a rectangle according to the input size.

Use a ruler to measure the rectangle of the draw and input the measurement result to "Measured Rectangle".

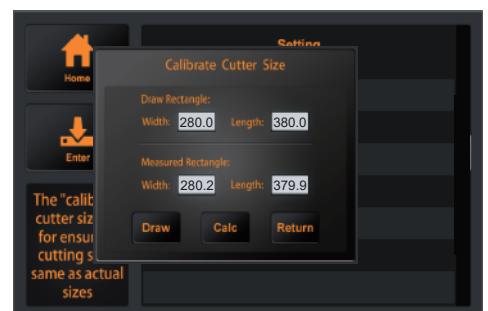
Press "Calc".it's finished. The program will automatically calculate the exact value.



1



2



3

Chapter 3: Convenient Functions

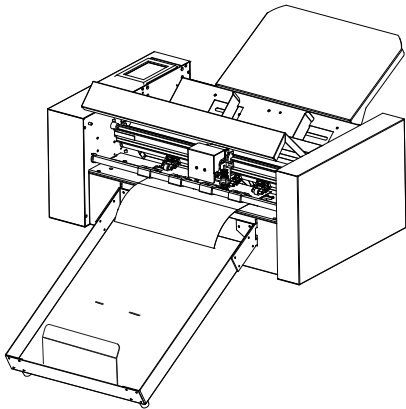
3.8 settings

Offset Setting

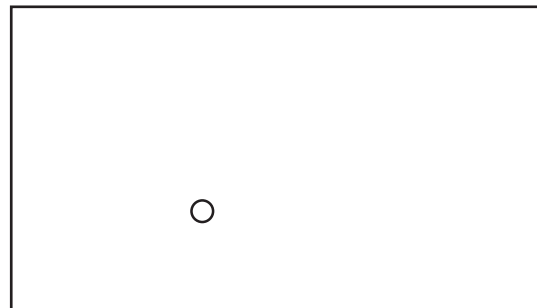
Offset Calibration: Test whether the camera is working properly.
If you encounter inaccurate cutting, Please calibrate the offset.

How to set the "Offset Calibration".

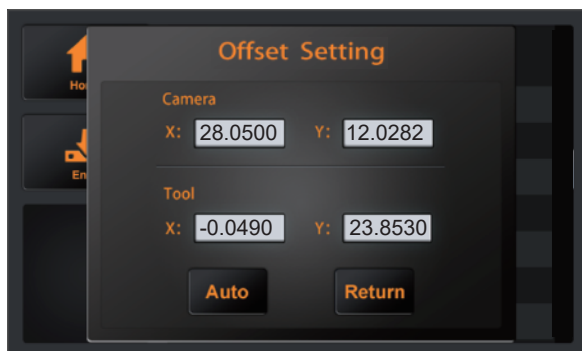
- (1) Load the test media (A4 paper) in the machine and Blade holder replaced with pen calibration tool first.(Refer 3.4)
- (2) Press "Auto",then machine will be draw one circle.
Then machine will automatically input the calibrated parameters.
- (3) Press"Return",offset calibration is completed.



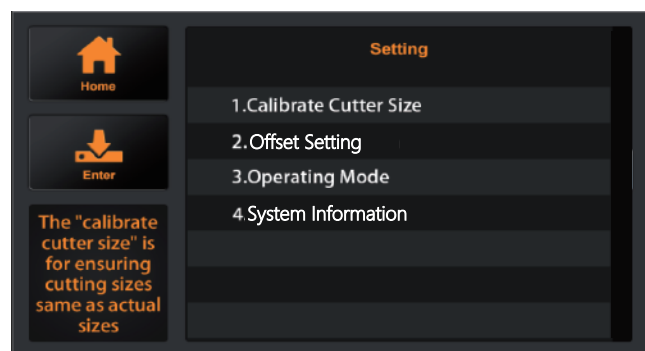
1



2



3



4

Chapter 3: Convenient Functions

3.8 Settings

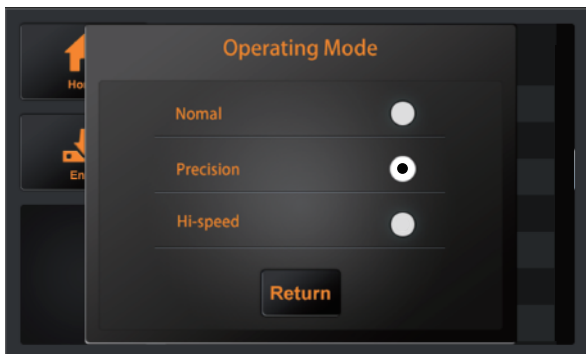
Operating Mode

Operating Mode: The three states of machine work, customers can choose according to their needs.



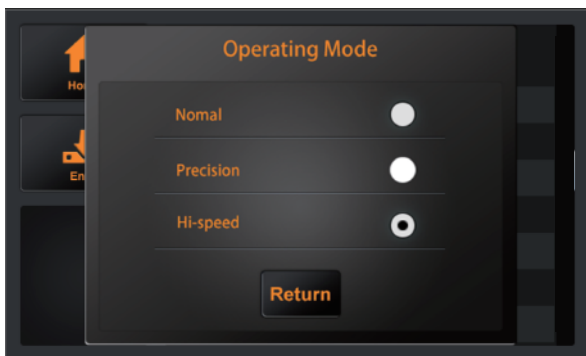
1

Normal:
Common mode, Perfect speed and precision.



2

Precision:
It is suitable for high-precision work.
The accuracy is priority, and the speed will be slowed down.



Hi-speed:
It is suitable for large format work.
speed will be fast and the precision will decrease.

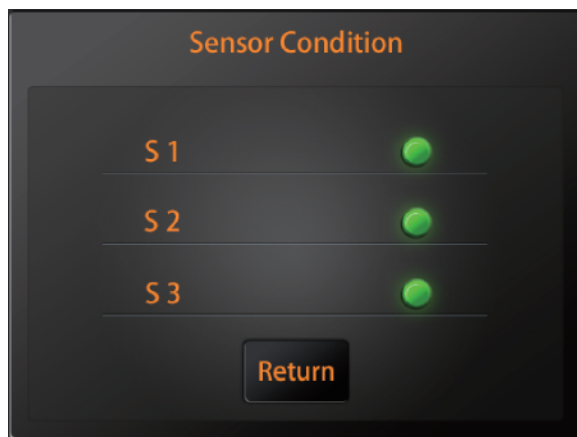
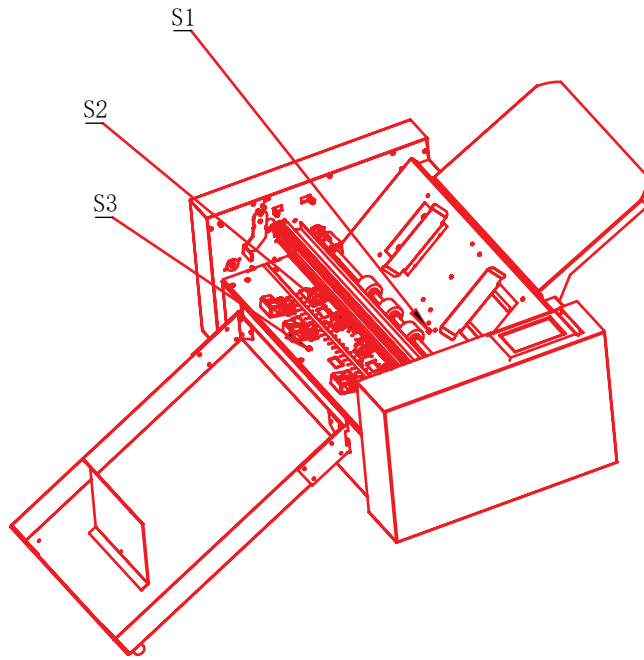
Chapter 3: Convenient Functions

3.8 Settings

Sensor Condition

Sensor Condition:Used to judge the working status of the sensor.

During work, you can check this setting if you encounter paper feeding problems



Chapter 3: Convenient Functions

3.8 Settings

System Information

System information and Machine function upgrade and update.



Model.....The model of cutter.

Machine SN The series number of the cutter, every machine has a unique number.

MB Ver.....The version of the mainboard.

MB SN.....The series number of the mainboard.

Cut len.....The mileage the cutter has worked

IP.....IP address. When connecting via a network cable,
check that the IP address is same with the computer.

FW Ver.....The version of firmware.

Chapter 4: Troubleshooting and Maintenance

Troubleshooting and Maintenance

4.1 The error information of cutter

4.2 Maintenance

4.3 Exploded drawings and part lists

Chapter 4: Troubleshooting and Maintenance

3.1 The error information of cutter

| LCD Display | Cause | Solution |
|---------------------------------------|---|---|
| .缺纸请放纸 | Media support tray is empty. | Please load media in media support tray. |
| .进纸错误请检查 | The material cannot enter the cutter normally. | 1:Check whether the material is installed correctly. 2: Whether the 3 sensors are normal. |
| •Loading... | File loading | |
| | Interface loading | |
| •Cutter is busy! | The cutter is working and cannot perform other operations | Perform other operations, after the work is completed, |
| •Drawing... | The cutter is drawing a calibration file. | |
| • Oversize! | Working width exceeds the actual working width of the machine | Modify the working size, please pay attention to the actual working size of the cutter. |
| • Unsuccessful! | Calibration offset job failed | Confirm that the pen holder can write normally, and force of both tools are set to 60g. |
| •Read file error! | Read file error when work via U disk! | Please try to insert the U disk into the cutter again |
| •X Motor Error! | Motor Error! | Rest cutter. 1:Check whether the motor is affected by other resistance during operation. 2:Check the motor circuit connection. 3:Replace with new motor. |
| •Y Motor Error! | | |
| •Image does not fit the machine size! | When using the RESET function, the remaining working size of the cutter is smaller than the size of the document to be cut. | Change the material position and reset the starting point. |

Chapter 4: Troubleshooting and Maintenance

3.1 The error information of cutter

| LCD Display | Cause | Solution |
|-------------|---------------------------|---|
| .前端传感器被覆盖 | The S1 sensor is covered. | 1: Whether there are foreign objects (materials, paper scraps, etc.) blocking the sensor. 2: Is the S1 sensor normal? 3: Check if there is a light source directly on the sensor. |
| .中间传感器被覆盖 | The S2 sensor is covered. | 1: Whether there are foreign objects (materials, paper scraps, etc.) blocking the sensor. 2: Is the S2 sensor normal? 3: Check if there is a light source directly on the sensor. |
| | | |

Chapter 4: Troubleshooting and Maintenance

3.2 Maintenance

Daily Maintenance

During the course of daily maintenance be sure to observe the following precautions:

- (1) Never lubricate the mechanisms of the plotter.
- (2) Clean the plotter's casing using a dry cloth that has been moistened in a neutral detergent diluted with water.
Never use thinner, benzene, alcohol, or similar solvents to clean the casings; they will damage the casing's finish.
- (3) If the writing panel is dirty, please clean using a dry cloth.
 - * Do not use benzine, thinners, or similar solvents to clean the writing panel.
- (4) When the Y rail sliding surface gets dirty, gently wipe the dirt away with a clean, dry towel.
 - * The sliding surface has lubricant on it, so be sure not to wipe all the lubricant off as well.

Chapter 4: Troubleshooting and Maintenance

3.2 Exploded drawings and part lists

Exploded drawing for cutter

Chapter 4: Troubleshooting and Maintenance

3.2 Exploded drawings and part lists

Part lists